

# AquaFlow

Unvented single coil water cylinder

RANGE 150 - 200 - 300

WRAS APPROVED

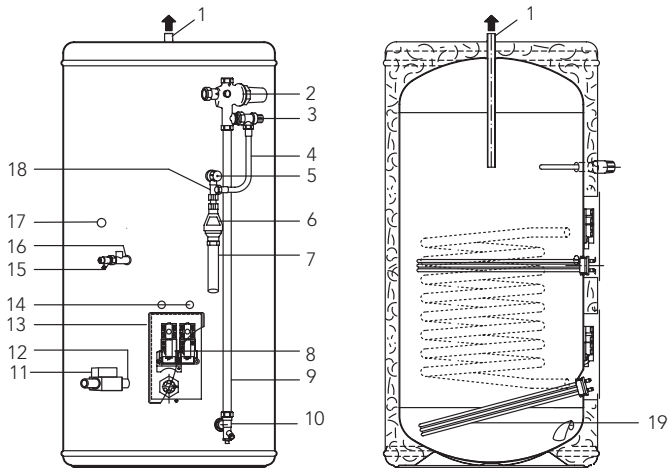
ANTI CORROSION

HIGH PERFORMANCE



# AquaFlow

## Unvented single coil water cylinder



- |                            |                               |
|----------------------------|-------------------------------|
| 1. Hot water outlet        | 11. Motorised valve           |
| 2. Pressure reducing valve | 12. Flow connection           |
| 3. Expansion/check valve   | 13. Junction box              |
| 4. Flexible connection     | 14. Cable Entry               |
| 5. TPR valve               | 15. Commissioning drain valve |
| 6. Tundish                 | 16. Secondary return          |
| 7. Discharge pipe          | 17. Return connection         |
| 8. Cylinder thermostat     | 18. Tee Piece                 |
| 9. Cold feed tube          | 19. Immersion Element         |
| 10. Drain cock             |                               |

Inner shell guaranteed for 25 years, made from Super-Molybdenum.

2 years guarantee on ancillary components.

High performance mains pressure to all hot water outlets.

Up to 50-litre per minute flow rate.

WRAS Approved.

Fully flooded expansion facility enabling storage capacity from 125 – 250 litres from the 3 model range.

No need for 'sacrificial anode' due to excellent anti-corrosion properties of Super-Molybdenum.

Compact dimensions.

TPRV, EV, Tundish, 2-port motorised valve supplied as standard.

3kW immersion heater and energy cut-out device supplied as standard.

Optional secondary return connection if required.

Thermal insulation and energy efficient coil meet Part L Requirements.

SPECIFICATIONS	AquaFlow 150	AquaFlow 200	AquaFlow 300
Capacity range	125-150 litres	170-200 litres	210-250 litres
Height	900mm	1150mm	1400mm
Depth (diameter)	580mm	580mm	580mm
Weight (when full)	190kg	240kg	300kg
Coil rating	12kW	26.5kW	26.5kW
Average recovery time	30 min	26 min	28 min
Energy loss (kW/day)	1.78	2.04	2.45
Maximum working pressure	8-bar	8-bar	8-bar



Vokera is a licensed member of the Benchmark scheme which aims to improve the standards of installation and commissioning of domestic hot water systems in the UK.

Registered Address: Vokera Ltd Borderlake House, Unit 7 Riverside Industrial Estate, London Colney, AL2 1HG

Email: [enquiries@vokera.co.uk](mailto:enquiries@vokera.co.uk) Web: [www.vokera.co.uk](http://www.vokera.co.uk)

Tel: 0844 391 0999

Fax: 0844 391 0998

Vokera Ireland West Court, Callan, Co Kilkenny

Tel: 056 7755057

Fax: 056 7755060

Vokera Limited reserve the right to change specification without prior notice. Consumers statutory rights are not affected. A Riello Group Company.  
Company Reg No.: 1047779