

AquaFlow Twin

Unvented twin coil water cylinder

RANGE 250 - 300

WRAS APPROVED

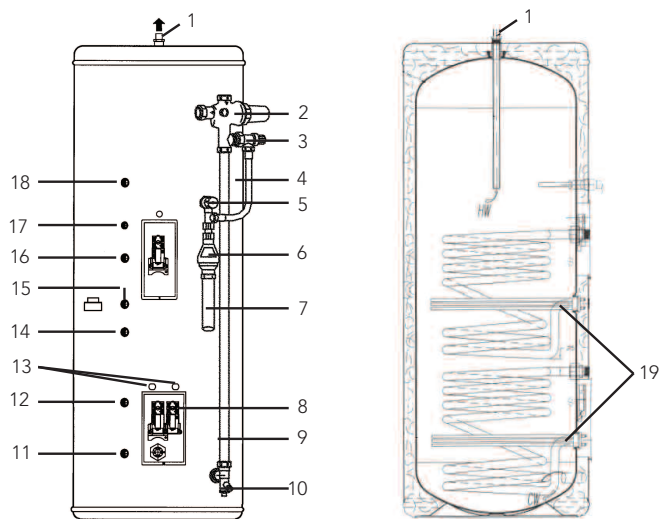
SECONDARY RETURN
FACILITY

TWIN COIL FOR SOLAR
THERMAL



AquaFlow Twin

Unvented twin coil water cylinder



- | | |
|----------------------------|--------------------------|
| 1. Hot water outlet | 10. Drain cock |
| 2. Pressure reducing valve | 11. Flow 3/4 inch |
| 3. Expansion/check valve | 12. Sensor Boss 1/2 inch |
| 4. Flexible connection | 13. Cable entry |
| 5. TPR valve | 14. Ret 3/4 inch |
| 6. Tundish | 15. Flow 3/4 inch |
| 7. Discharge pipe | 16. Secret 1/2 inch |
| 8. Cylinder thermostat | 17. Ret 3/4 inch |
| 9. Cold feed tube | 18. Sensor Boss 1/2 inch |
| | 19. Immersion element |

Inner shell guaranteed for 25 years, made from Super-Molybdenum.

Cylinder manufactured from high grade corrosion resistant stainless steel.

Easy and quick to install.

Internal secondary expansion via self generating air gap means no expansion vessel required, or fully flooded cylinder with an expansion vessel.

Balanced cold water supply point.

Secondary return facility on all units as standard.

No need for 'sacrificial anode' due to excellent anti-corrosion properties of 'Super-Molybdenum'.

No cold water feed tanks required means a dry roof space.

Twin coil units supplied with one two port motorised valve.

Twin coil units are supplied with one low level immersion heater factory fitted and hard wired complete with surface mounted thermostat.

Twin coil cylinders have two thermostats, upper for boiler heating and lower for Solar pre-heater.

Cylinders are supplied with all mandatory valves and fittings.

| SPECIFICATIONS | AquaFlow Twin 250 | AquaFlow Twin 300 |
|----------------------------------|-------------------|-------------------|
| Unvented capacity | 207 litres | 239 litres |
| Approximate weight full | 255kg | 297kg |
| Flooded capacity | 250 litres | 300 litres |
| Approximate weight fully flooded | 312kg | 364kg |
| Height | 1400mm | 1600mm |
| Diameter | 580mm | 580mm |

Install the Aquaflow twin coil water cylinder with a Zenith Solar thermal collector and system or regular boiler to benefit from renewable energy.

See the Vokèra Product Solutions catalogue for further information on Zenith Solar thermal collectors.



Vokèra is a licensed member of the Benchmark scheme which aims to improve the standards of installation and commissioning of domestic hot water systems in the UK.

Registered Address: Vokèra Ltd Borderlake House, Unit 7 Riverside Industrial Estate, London Colney, AL2 1HG

Email: enquiries@vokera.co.uk Web: www.vokera.co.uk
 Vokèra Ireland West Court, Callan, Co Kilkenny

Tel: 0844 391 0999 Fax: 0844 391 0998
 Tel: 056 7755057 Fax: 056 7755060

Vokèra Limited reserve the right to change specification without prior notice. Consumers statutory rights are not affected. A Riello Group Company.
 Company Reg No.: 1047779