

Aquanova

Instantaneous multipoint water heater

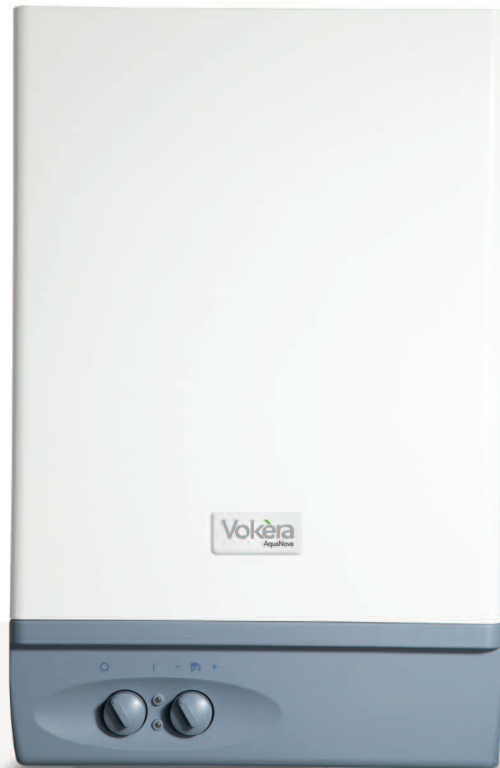
SIMPLE INSTALLATION



FLEXIBLE FLUEING



ELECTRONIC IGNITION



Aquanova

Instantaneous multipoint water heater



Simple installation and commissioning. All connections are easily accessible and the appliance features a built-in fly lead.

AquaNova has a 28kW heat output and high flow rate of 11.8 litres per minute.

Continuous gas modulation and electronic temperature sensing gives accurate temperature control.

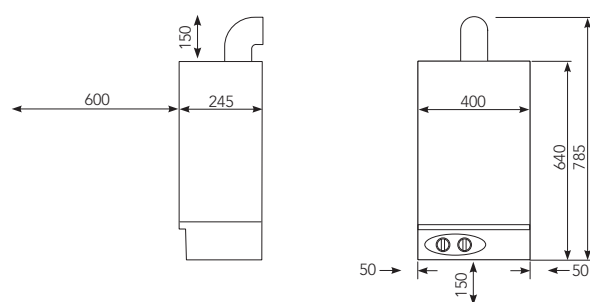
AquaNova can be flued horizontally or vertically using Vokèra's concentric or twin flue systems.

Simple to service. No diaphragm or water section. This reduces maintenance requirements.

Electronic ignition eliminates the need for a constantly running fan or energy wasteful pilot light.

SPECIFICATIONS	
Rated output to DHW	28.8 kW
Hot water flow rate (35°C rise)	11.8 litres/min
Standard flue terminal length	830m
Weight (Dry)	20kg
Electrical	230Vac 50Hz
Power consumption	85 W
Minimum cold water inlet pressure	0.15bar
Maximum flue length	
Horizontal (ø100mm)	2.4m
Vertical (ø100mm)	3.6m
Twin (ø80mm)	5m/5m + terminal
Pipe connections	
DHW	15mm
Cold water	15mm
Gas	15mm

DIMENSIONS AND CLEARANCES (MM)



Vokèra is a licensed member of the Benchmark scheme which aims to improve the standards of installation and commissioning of domestic hot water systems in the UK.

Registered Address: Vokèra Ltd Borderlake House, Unit 7 Riverside Industrial Estate, London Colney, AL2 1HG

Email: enquiries@vokera.co.uk Web: www.vokera.co.uk
 Vokèra Ireland West Court, Callan, Co Kilkenny

Tel: 0844 391 0999 Fax: 0844 391 0998
 Tel: 056 7755057 Fax: 056 7755060

Vokèra Limited reserve the right to change specification without prior notice. Consumers statutory rights are not affected. A Riello Group Company.
 Company Reg No.: 1047779

Issue1 04/09 cm51